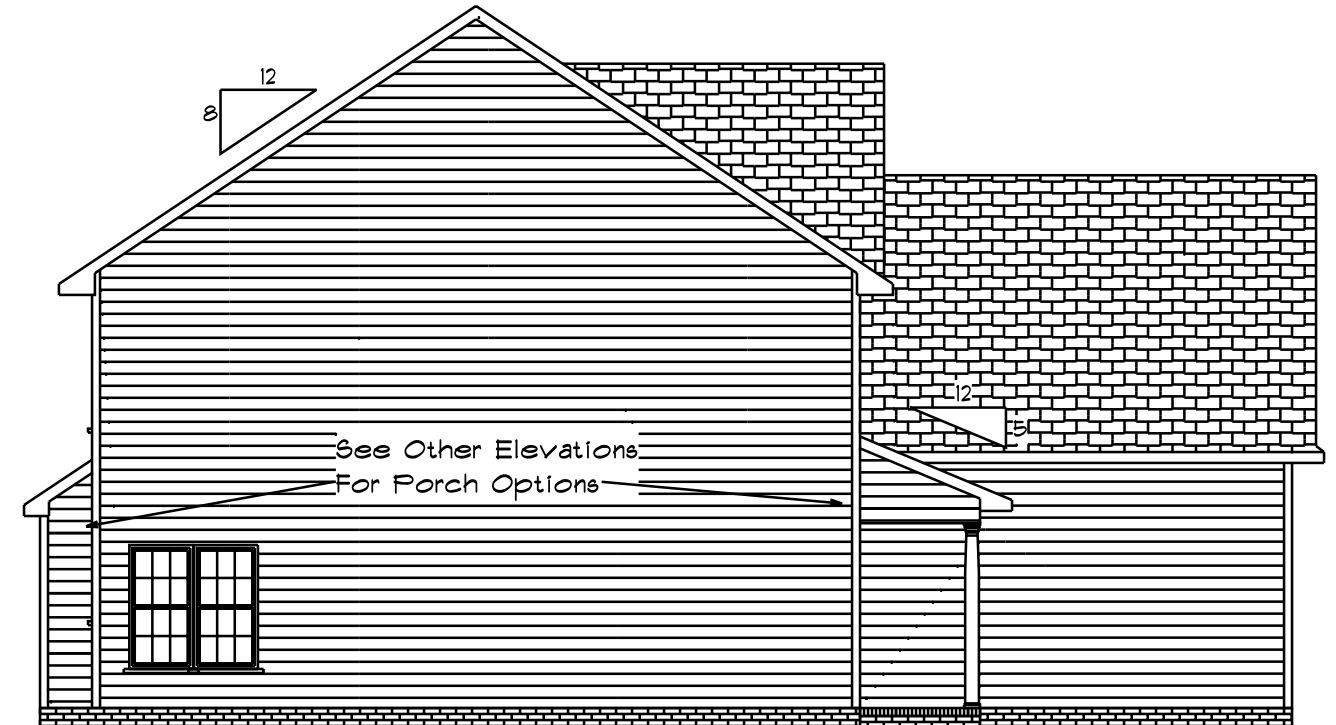




Front Elevation  
Scale: 1/4" = 1'0"



Left Elevation  
Scale: 1/8" = 1'0"



Rear Elevation  
Scale: 1/8" = 1'0"



Right Elevation  
Scale: 1/8" = 1'0"

Base Designs  
2121 Chimney Pt.,  
Linden N.C. 28356  
910-864-9310

DATE January 01, 2014

REVISED

DRAWING#

EIV. A

SCALE

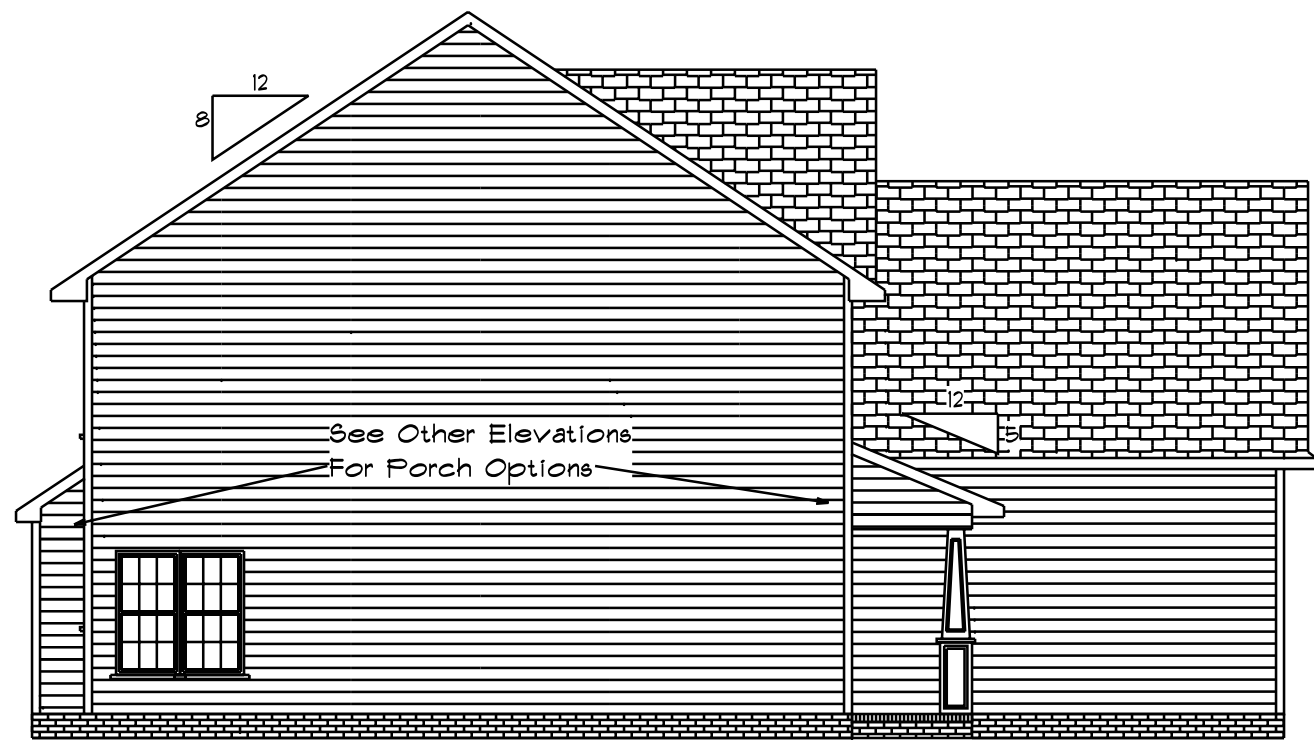
DRAWN BY

APPROVED

The Hampton



Front Elevation  
Scale: 1/4" = 1'0"



Left Elevation  
Scale: 1/8" = 1'0"



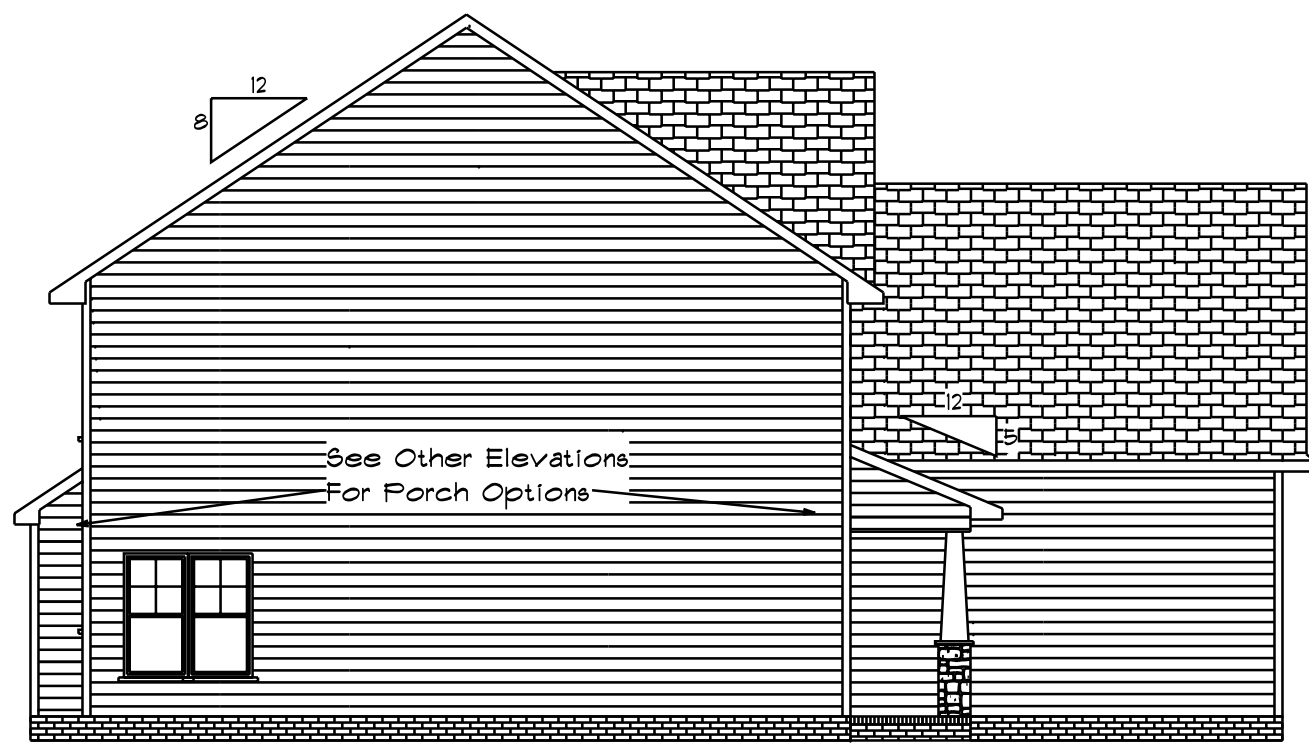
Rear Elevation  
Scale: 1/8" = 1'0"



Right Elevation  
Scale: 1/8" = 1'0"



Front Elevation  
Scale: 1/4" = 1'0"



Left Elevation  
Scale: 1/8" = 1'0"



Rear Elevation  
Scale: 1/8" = 1'0"



Right Elevation  
Scale: 1/8" = 1'0"

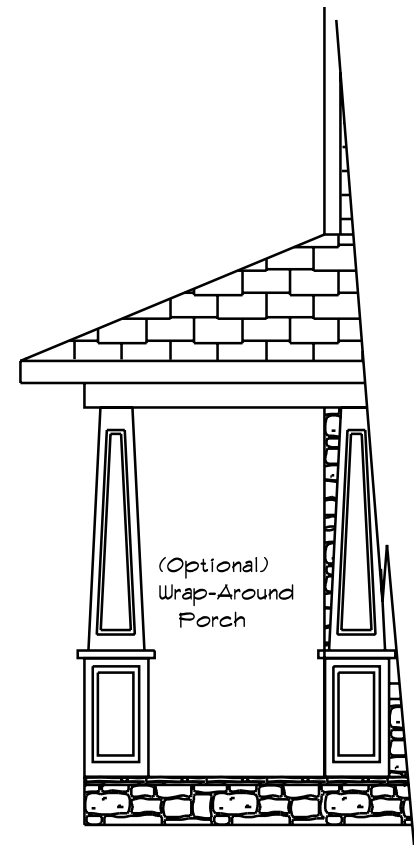
Base Designs  
2121 Chimney Pt.,  
Linden N.C. 28356  
910-864-9310

DATE January 01, 2014  
REVISED  
DRAWING#

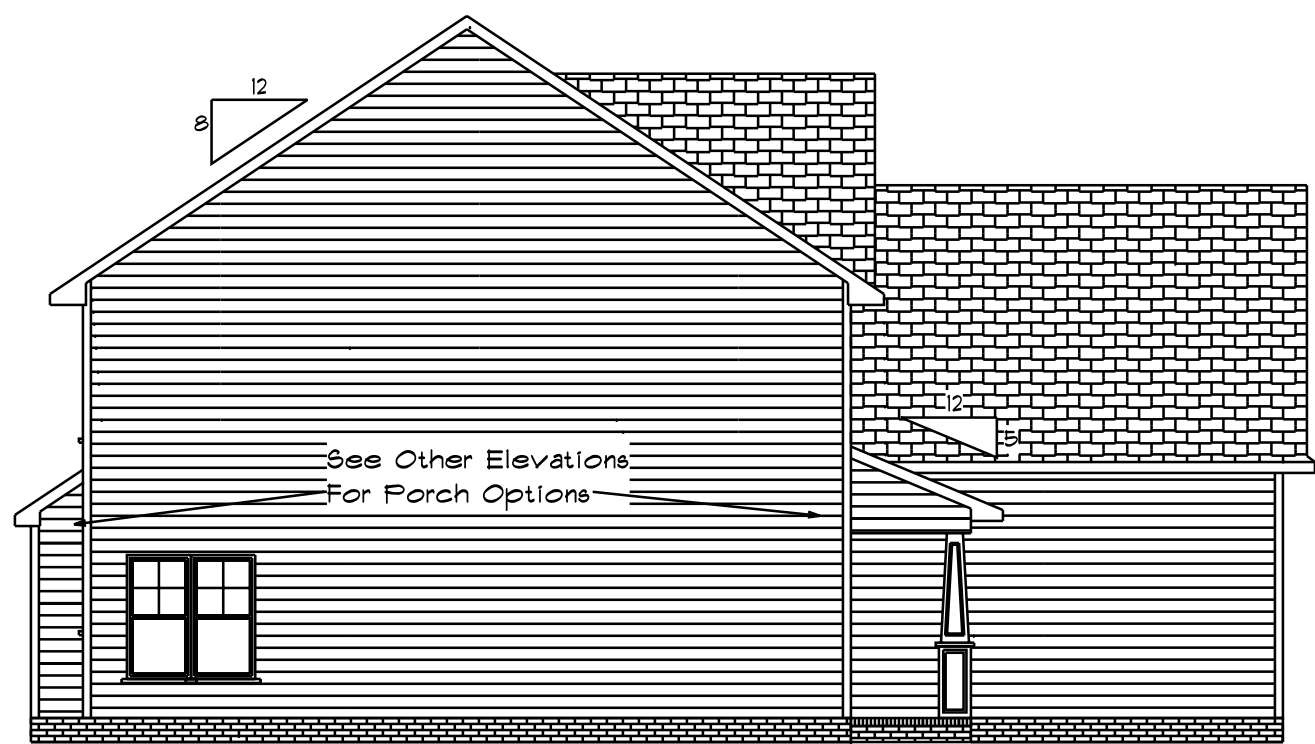
EIV, C

SCALE  
DRAWN BY  
APPROVED

The Hampton



Front Elevation  
Scale: 1/4" = 1'0"



Left Elevation  
Scale: 1/8" = 1'0"



Rear Elevation  
Scale: 1/8" = 1'0"



Right Elevation  
Scale: 1/8" = 1'0"

Base Designs  
2121 Chimney Pt.,  
Linden N.C. 28356  
910-864-9310

DATE January 01, 2014

REVISED

DRAWING#

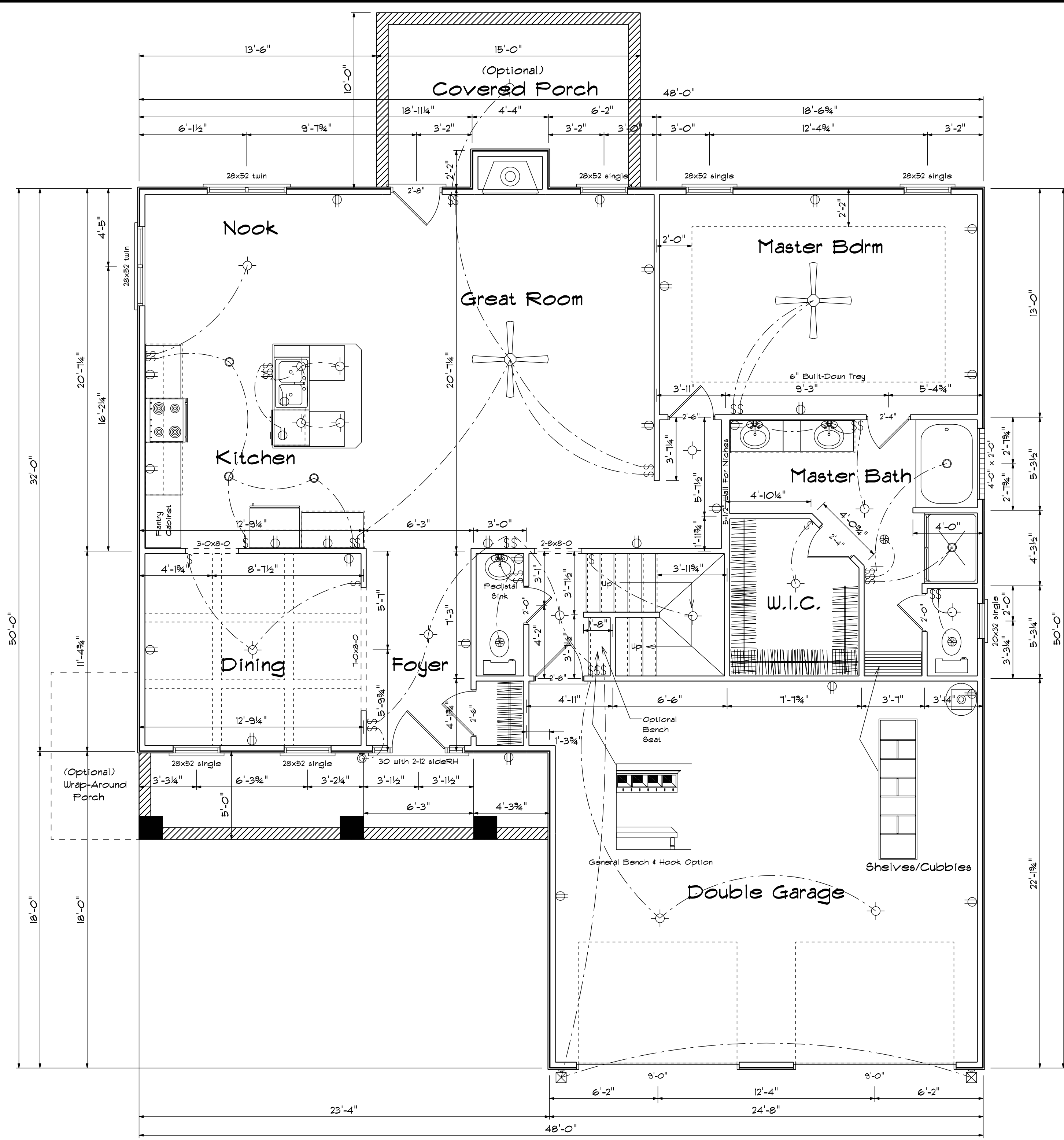
EIV. D

SCALE

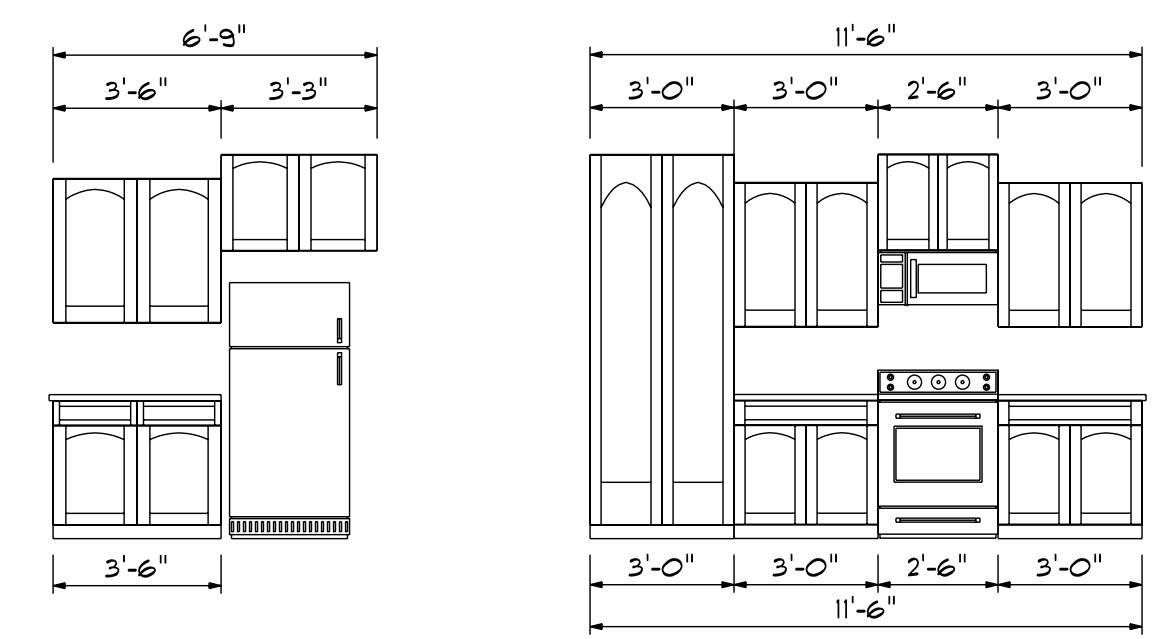
DRAWN BY

APPROVED

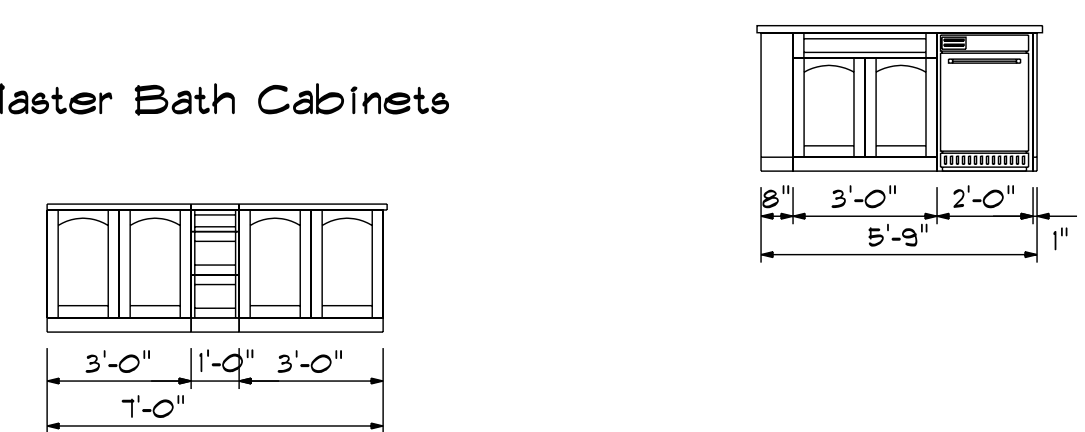
The Hampton



### Kitchen Cabinets



### Master Bath Cabinets



### First Floor Openings

PRODUCT CODE	SIZE	HINGE DIRECTION	COUNT	R.O. WIDTH
28 Cased Opening	2'-8"	N	1	2'-8"
70 Cased Opening	7'-0"	N	1	7'-0"
30 Cased Opening	3'-0"	N	1	3'-0"
30 with 2-12 sideRH	5'-3"	NA	1	5'-3"
32x80 FRENCH A 1	2'-8"	R	1	2'-11"
192x84 - 1 PANEL	16'-0"	U	1	16'-3"
28 colonial	2'-8"	L	1	2'-10"
2-0 Door Unit LH	2'-0"	L	1	2'-2"
2-0 Door Unit RH	2'-0"	R	1	2'-2"
2-4 Door Unit LH	2'-4"	L	2	2'-6"
2-6 Door Unit LH	2'-6"	L	3	2'-8"
28x52 single	2'-8" x 5'-2"	N	5	2'-8"
28x52 twin	4'-6" x 5'-2"	NN	2	4'-6"
20x32 single	2'-0" x 3'-2"	N	1	2'-0"
28x52 single	2'-8" x 5'-2"	N	2	2'-8"
8x8 GLASS BLOCK	4'-0" x 2'-0"	N	1	4'-0 1/2"

### Areas

First Floor Heated	1449+
Second Floor Heated	1251+
=====	
Total Heated	2700+
Bonus Room	337+
Garage	558+
Porch	113+

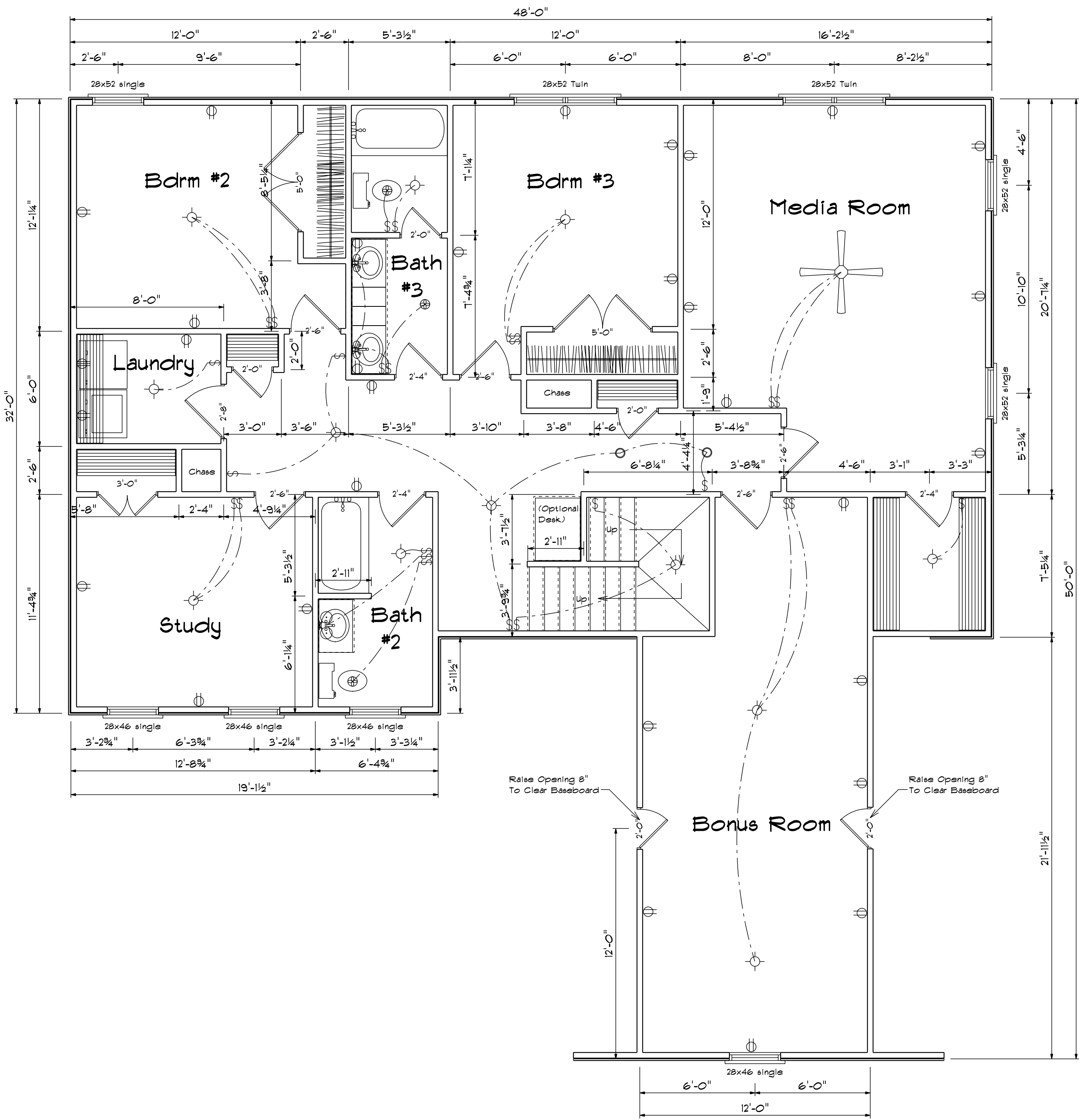
First Floor Plan

Base Designs  
2721 Chimney Pt.  
Linden N.C. 28356  
910-864-9310

DATE June 17, 2014  
REVISED  
DRAWING#

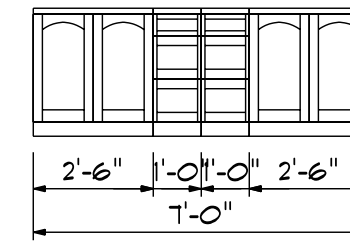
SCALE 1/4"  
DRAWN BY  
APPROVED

The Hampton

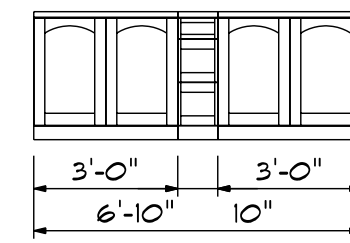


Second Floor Plan

Bath #2 Cabinets

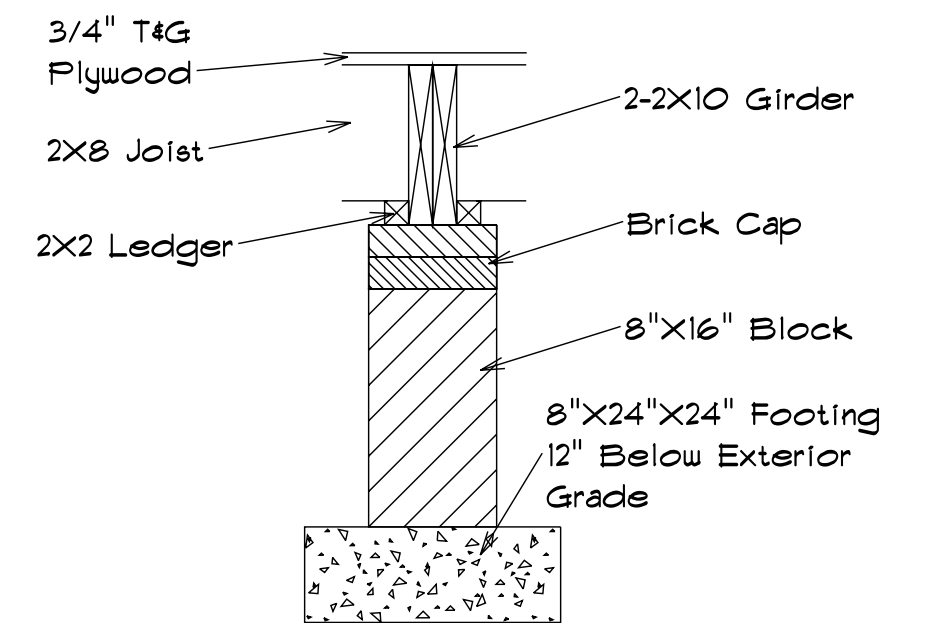
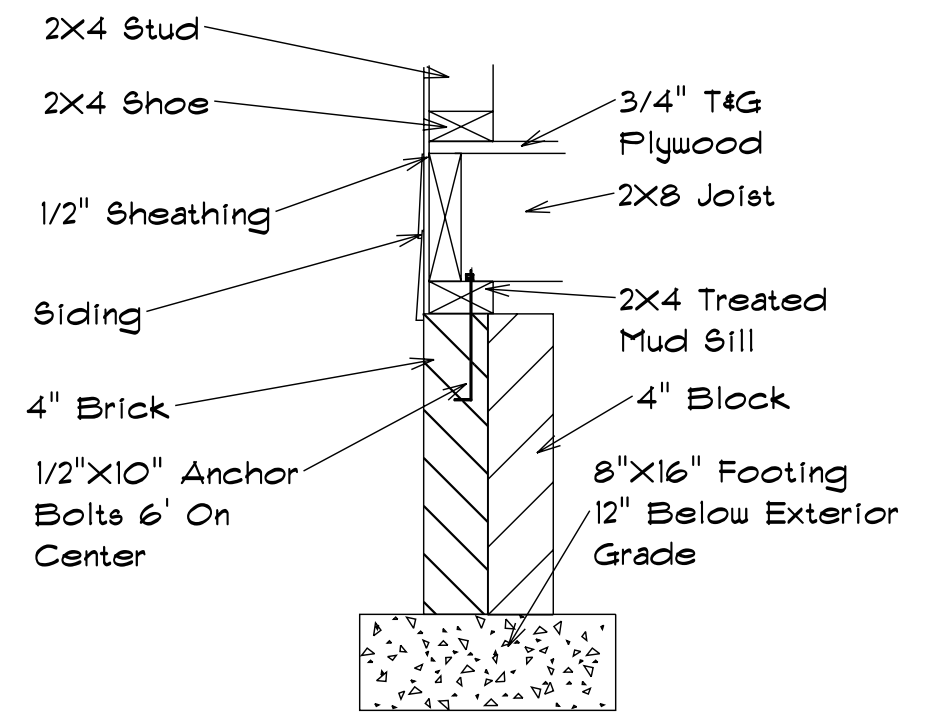
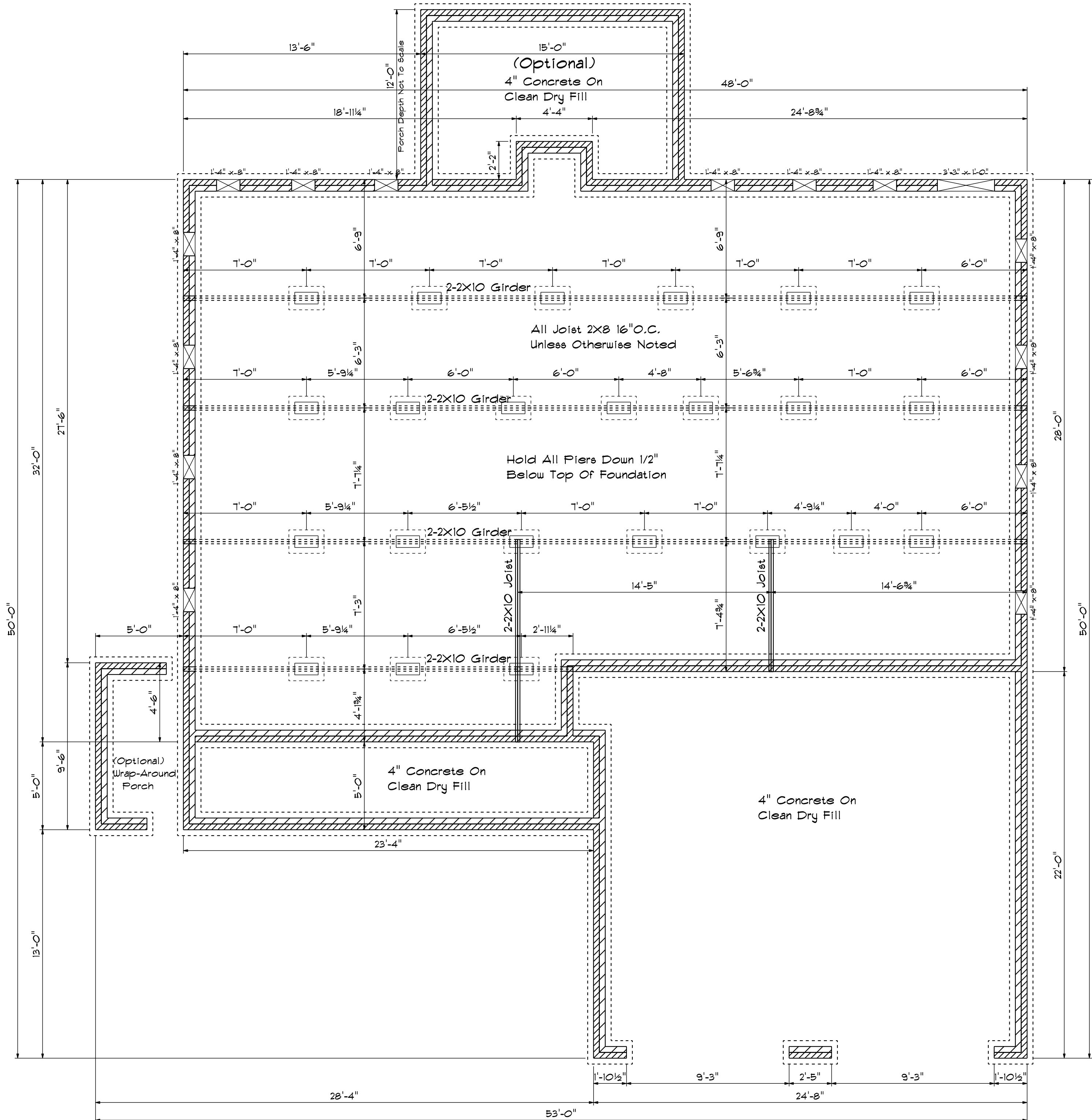


Bath #3 Cabinets



Second Floor Openings

PRODUCT CODE	SIZE	HINGE DIRECTION	COUNT	R.O. WIDTH
2-0 Door Unit LH	2'-0"	L	1	2'-2"
2-0 Door Unit RH	2'-0"	R	2	2'-2"
2-4 Door Unit LH	2'-4"	L	1	2'-6"
2-4 Door Unit RH	2'-4"	R	2	2'-6"
2-6 Door Unit LH	2'-6"	L	2	2'-8"
2-6 Door Unit RH	2'-6"	R	3	2'-8"
2-8 Door Unit LH	2'-8"	L	1	2'-10"
3-0 Double Hung Door Unit	3'-0"	LR	1	3'-2"
5-0 Double Hung Door Unit	5'-0"	LR	2	5'-2"
28x46 single	2'-8" x 4'-6"	N	4	2'-8"
28x52 Twin	5'-4" x 5'-2"	NA	2	5'-4"
28x52 single	2'-8" x 5'-2"	N	3	2'-8"

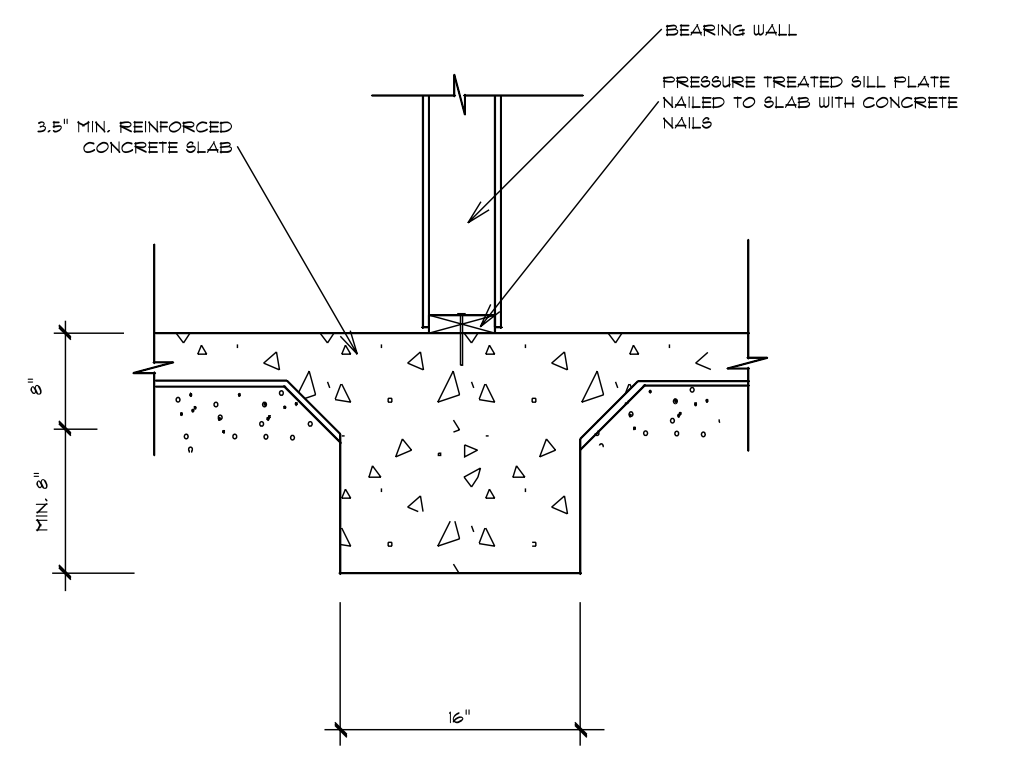
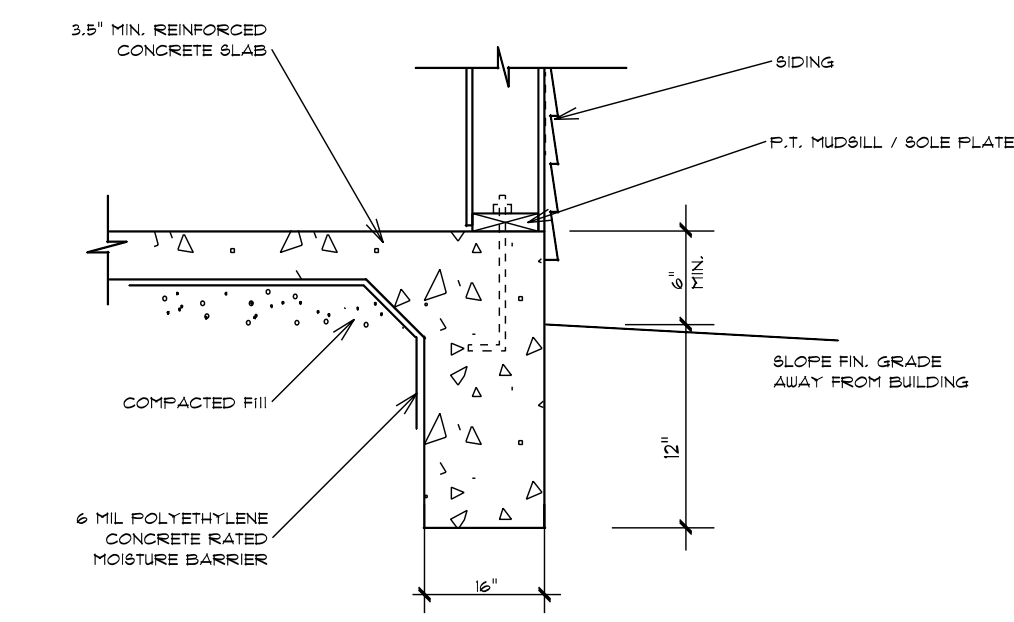
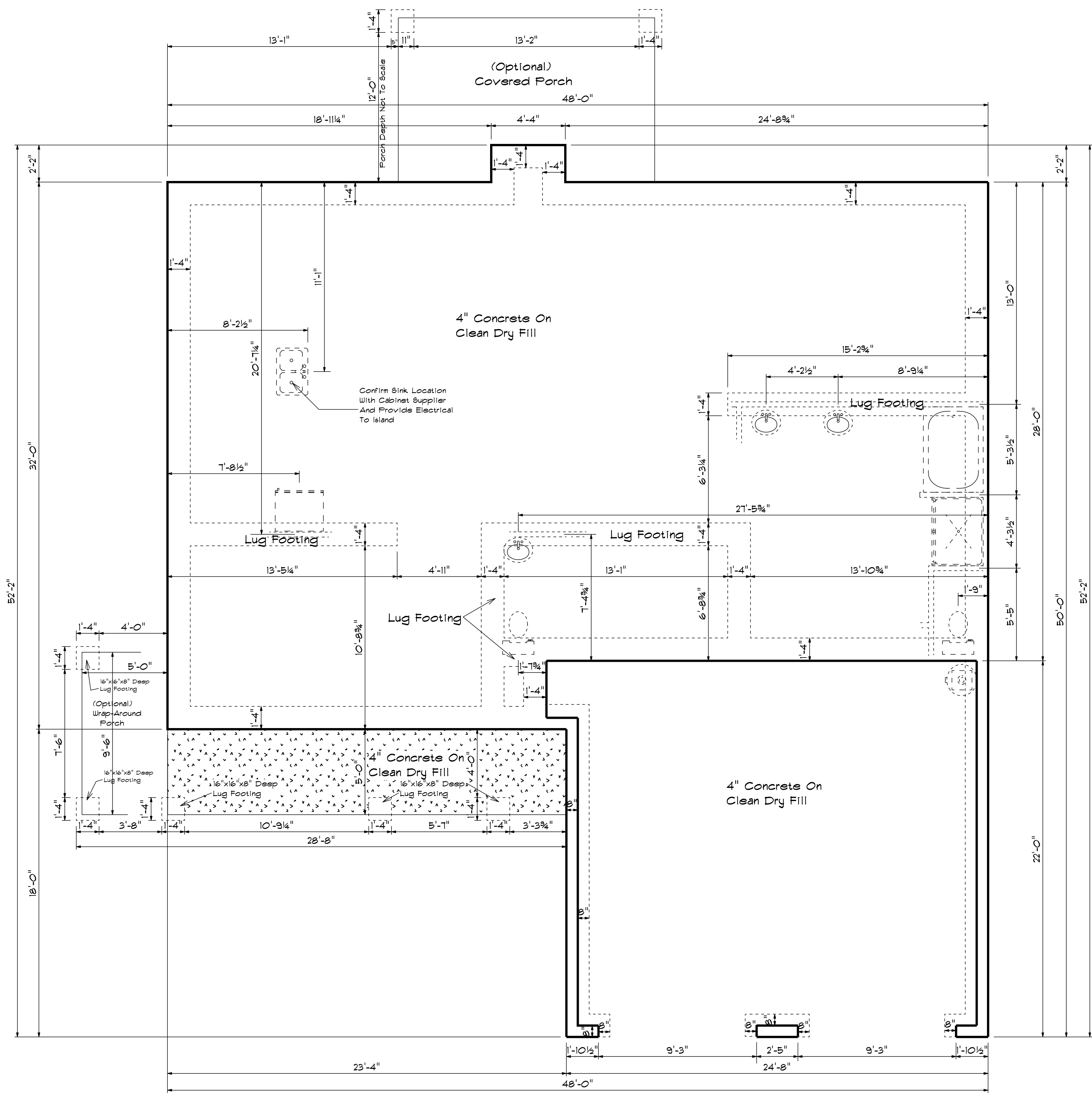


**The Hampton**

Base Designs  
2121 Chimney Pt.  
Linden N.C. 28356  
910-864-9310

DATE November 10, 2014  
REVISED  
DRAWING#

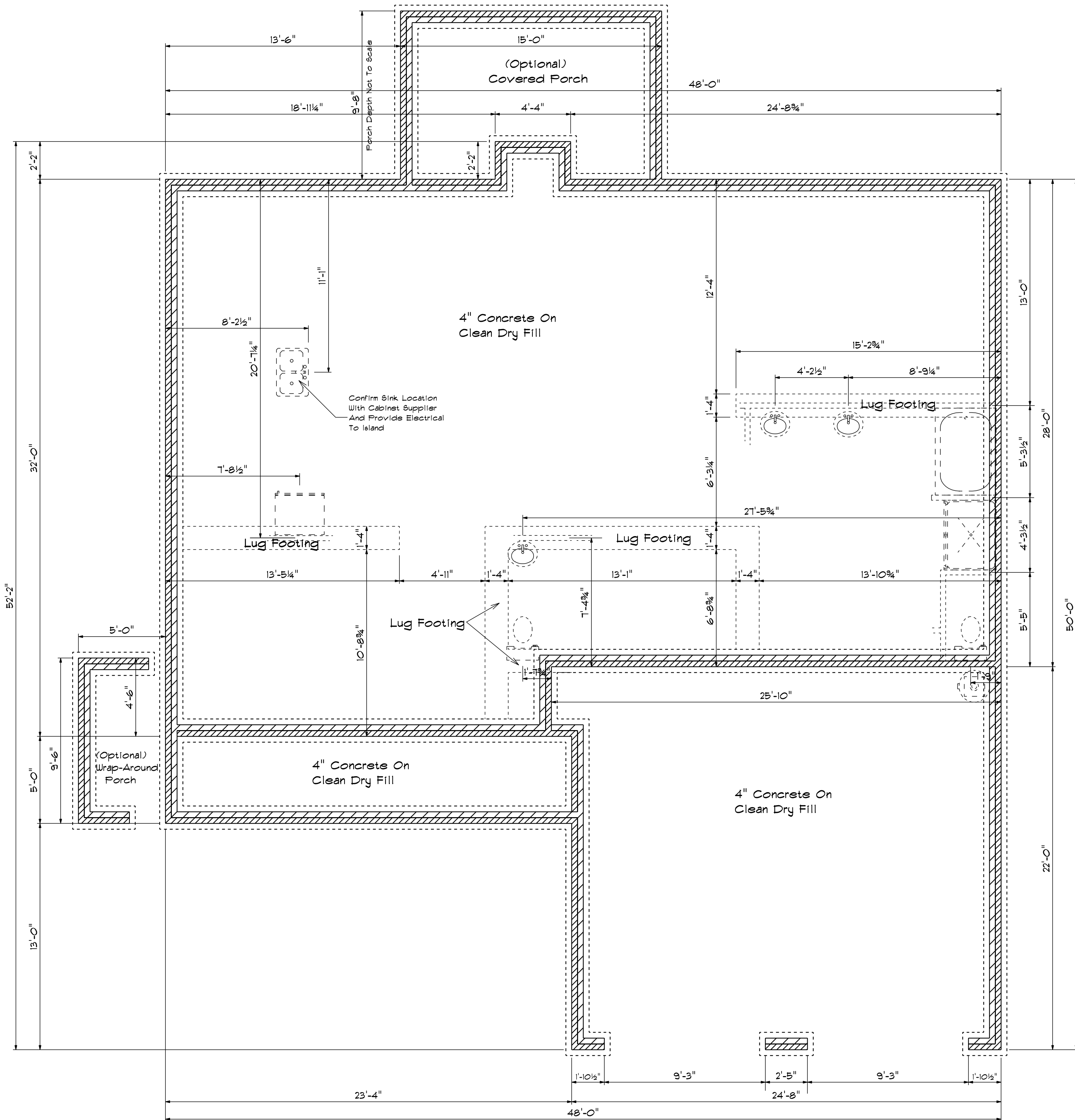
SCALE 1/4"  
DRAWN BY  
APPROVED



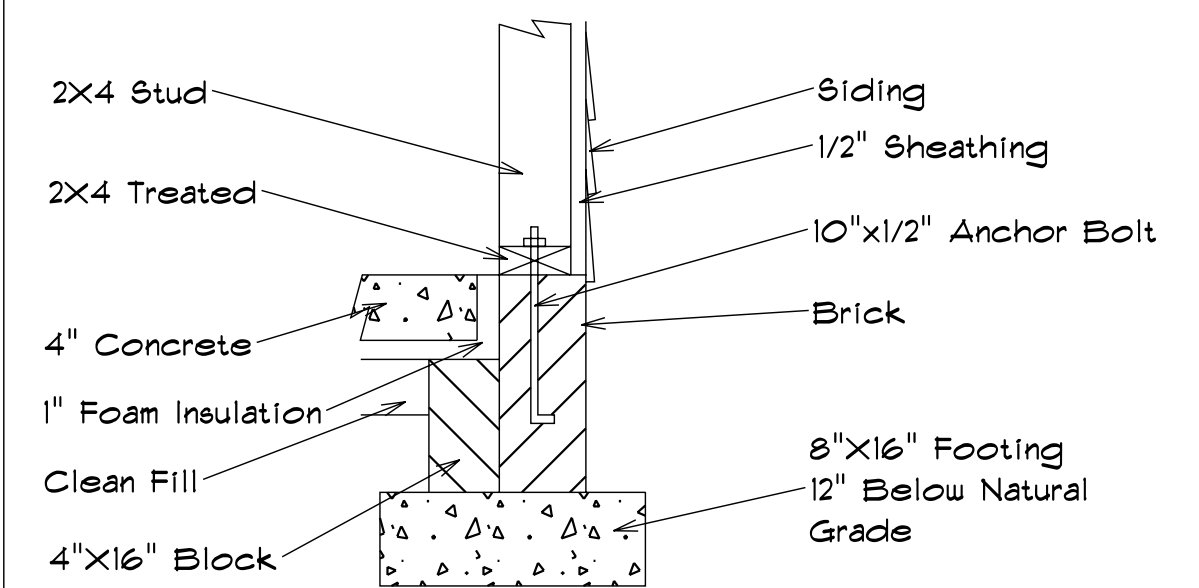
Foundation Plan

Base Designs 2121 Chimney Pt. Linden N.C. 28356 910-864-9310	DATE November 10, 2014 REVISED DRAWING#	SCALE 1/4" DRAWN BY APPROVED
The Hampton		

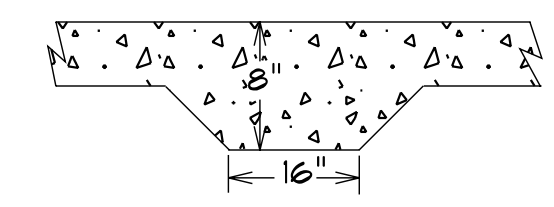




### Foundation Detail Siding



### Lug Footing Detail



### Foundation Plan

Base Designs  
2121 Chimney Pt.  
Linden N.C. 28356  
910-864-9310

DATE November 10, 2014  
REVISED  
DRAWING#

SCALE 1/4"  
DRAWN BY  
APPROVED

The Hampton